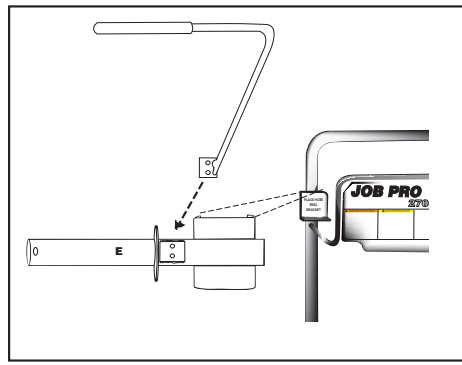


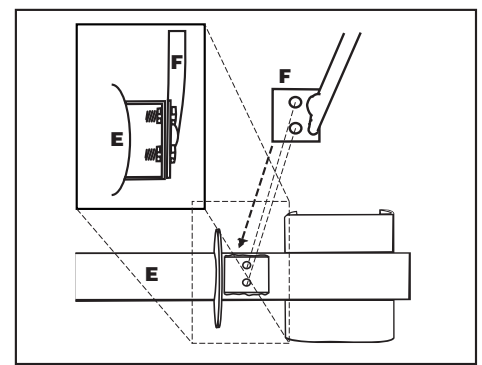
STEP 1

Remove clip (A) from Axle Cap (B). Slide Axle (E) from Reel (D).



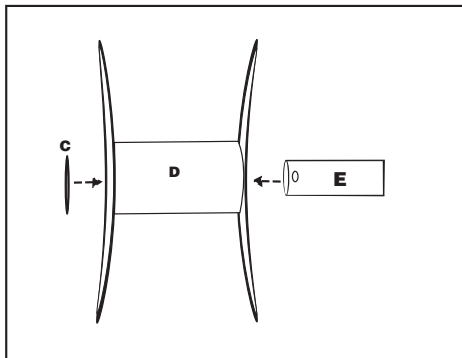
STEP 2

Locate which side the mounting bracket is positioned on the unit. Then determine how the handle should be positioned on the Axle (E). Keep in mind that the carry handle should be positioned over the Reel Assembly (D). At this point if you have purchased a retrofit kit refer to directions in the retro-fit kit.



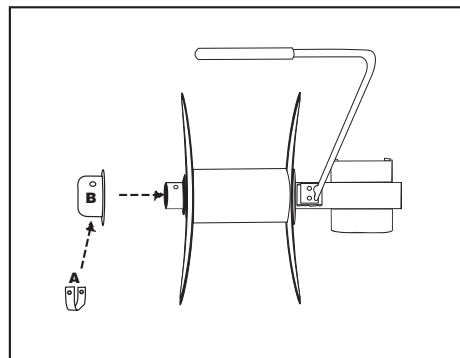
STEP 3

After determining the proper position of the Handle (F) install the nuts and bolts provided in the box.



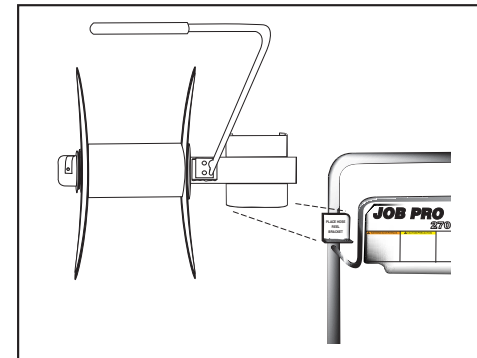
STEP 4

Insert Axle (E) into Reel Assembly (D). After the Axle (E) is slid through the Reel Assembly (D) you must then slide the Tensioner Washer (C) over the Axle (E) on the other side of the Reel Assembly (D).



STEP 5

Once the Tensioner Washer (C) is in place then you can put the End Cap (B) over the end of the Axle (E), making sure the holes on the Axle (E) line up with the ones in the End Cap (B). Then you attach the Snap Retainer (A) in place to secure the End Cap (B) to the Axle (E).



STEP 6

Finally after you have the hose reel completed then you are ready to attach it to the machine. You do so by sliding the end of the Axle (E) over the hose reel bracket on the machine.

